



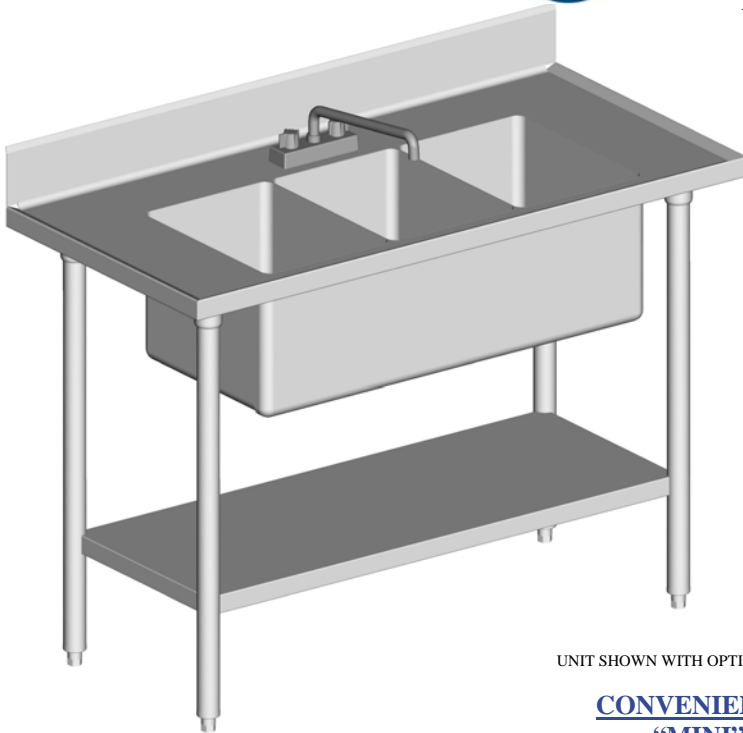
## CONVENIENT STORE "MINI" SINK

CSMS-48 & CSMS-48-US

PROJECT#: \_\_\_\_\_

ITEM# \_\_\_\_\_

MODEL# \_\_\_\_\_

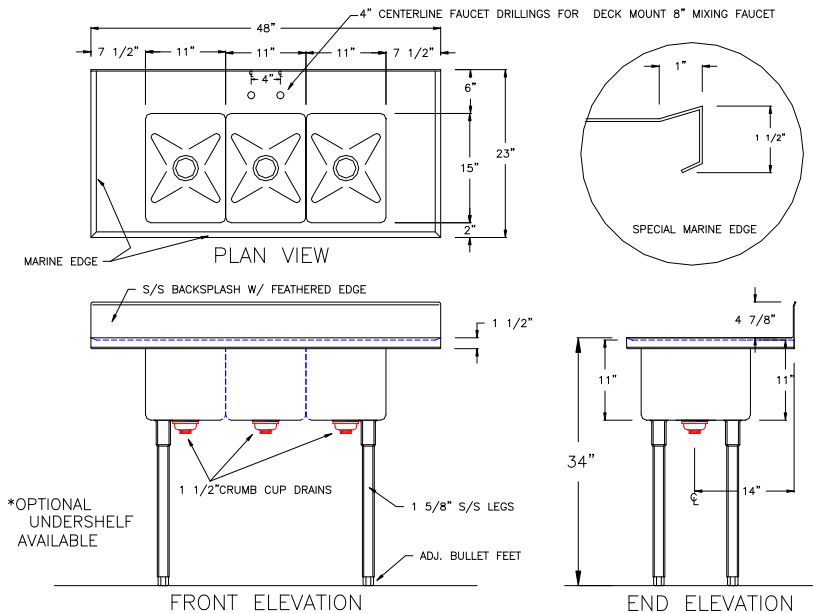


UNIT SHOWN WITH OPTIONAL S/S UNDERSHELF

### CONVENIENT STORE "MINI" SINK

#### CONSTRUCTION:

- ◆ This "Mini" sink satisfies most health code requirements for back room sinks at a fraction of the cost of a normal three bowl sink.
- ◆ All exposed surfaces of tops, drainboards and bowls are highly polished 16 GA. type 304 stainless steel.
- ◆ All sink bowls, 11" x 15" x 11", have a die-formed depression in the bottom to facilitate rapid drainage and 1-1/2" IPS crumb-cup drains.
- ◆ Mixing faucet with spout is included.
- ◆ Tops are one-piece die-formed construction.
- ◆ Legs are 1-5/8" tubular stainless steel with adjustable bullet feet.





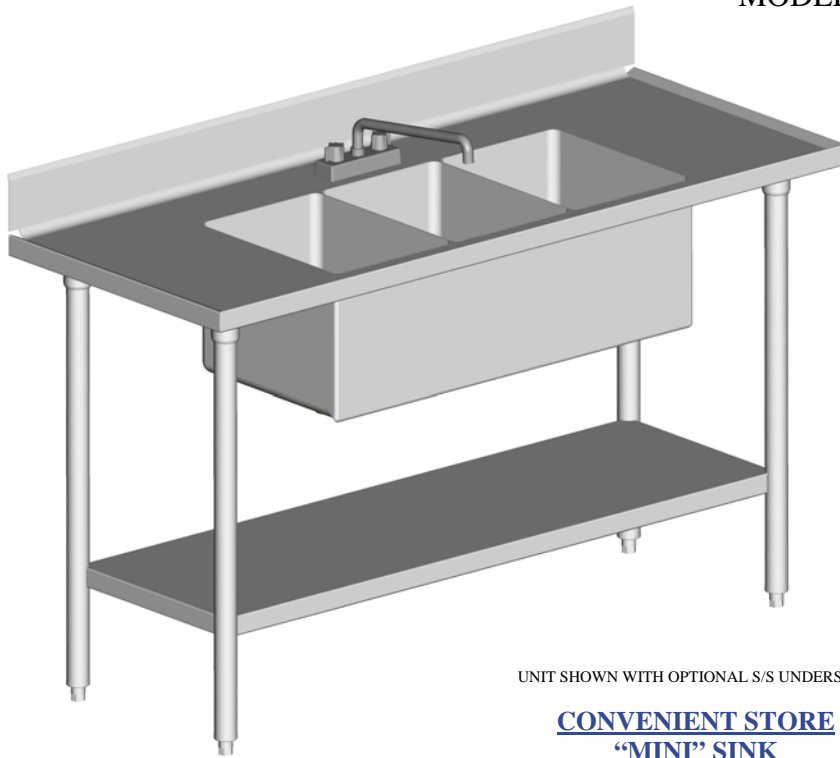
## CONVENIENT STORE "MINI" SINK

CSMS-58 & CSMS-58-US

PROJECT#: \_\_\_\_\_

ITEM# \_\_\_\_\_

MODEL# \_\_\_\_\_

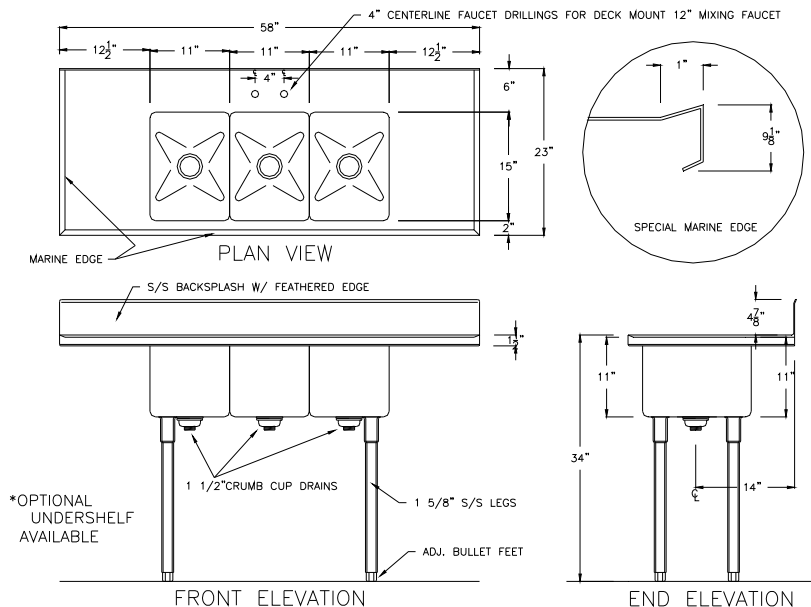


UNIT SHOWN WITH OPTIONAL S/S UNDERSHELF

### CONVENIENT STORE "MINI" SINK

#### CONSTRUCTION:

- ◆ This "Mini" sink satisfies most health code requirements for back room sinks at a fraction of the cost of a normal three bowl sink.
- ◆ All exposed surfaces of tops, drainboards and bowls are highly polished 16 GA. type 304 stainless steel.
- ◆ All sink bowls, 11" x 15" x 11", have a die-formed depression in the bottom to facilitate rapid drainage and 1-1/2" IPS crumb-cup drains.
- ◆ Mixing faucet with spout is included.
- ◆ Tops are one-piece die-formed construction.
- ◆ Legs are 1-5/8" tubular stainless steel with adjustable bullet feet.



UNIT TO BE CONSTRUCTED W/ 16 GA 304 S/S  
UNIT TO BE SUPPLIED W/ COMP. HDWR #K11-4008 FAUCET